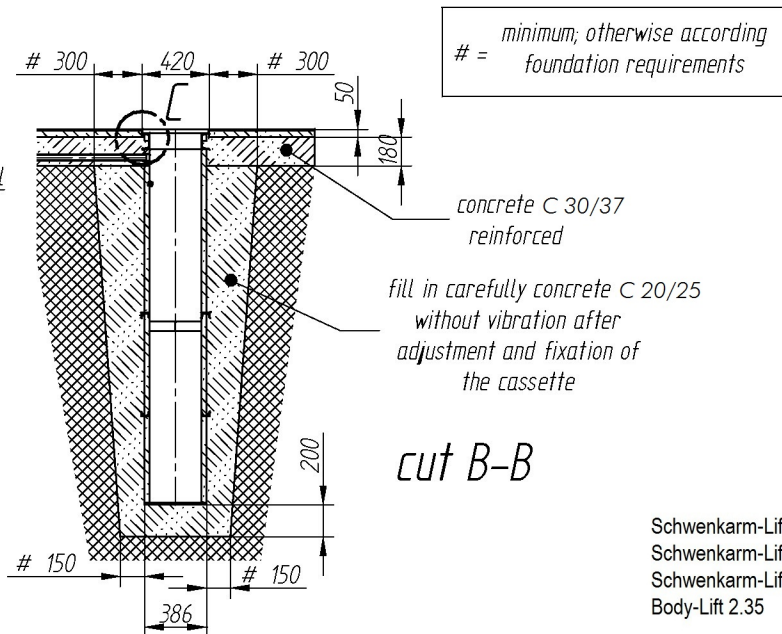
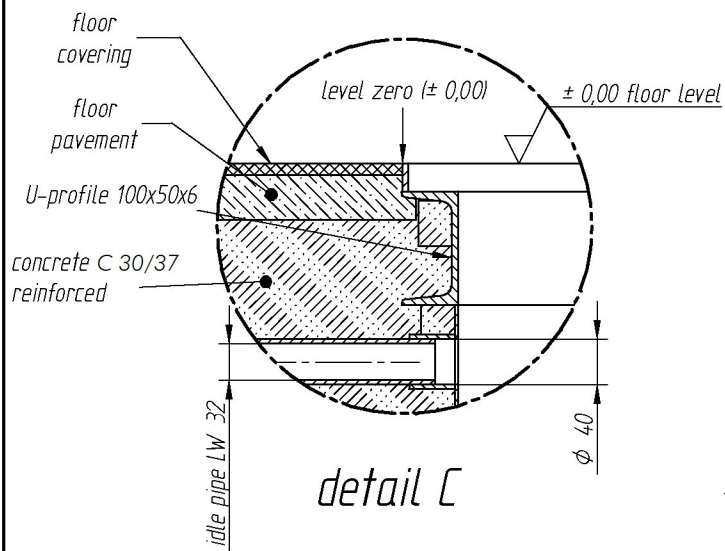


* BMW A=2800 / B=2200

5 to A=3000 / B=2500

* bzw. A=3500 / B=2500




= minimum; otherwise according foundation requirements

all dimensions are minimum in mm!

piston distance 2285 (3,5t/5,0t)

Schwenkarm-Lift 2.30 PE
Schwenkarm-Lift 2.35
Schwenkarm-Lift 2.50
Body-Lift 2.35

	Zeichnungsnummer	FP2285
	Stand	01.01.2005
Foundation plan piston distance 2285		

Tips and comments for the foundation plan or rather installation of hydraulic flush-mounted lifting platforms with piston distance 2285 mm

I. General instructions for the installation:

The extent of a standard workplace for car workshops is as a rule 6.50 - 7.00 x 4.00m. However the instructions of the car manufacturers and of the client for whom it is built have priority according to the actual facts of the building.

Extents of the plan:
A 2,60 m
B 2,40 m
C 1,50-2,00 m

Location of the control panel (push button control):

The best position is at the left side of the front wall seen in driving direction. Lay the idle-pipe DN 32 from the installation cassette with a round exit to the control panel.

Important: Carry out no small radius when installing the idle-pipe but stretched curves.

II. Laying the foundations:

The installation cassette for the lifting platform is quite an resistant to deflection element for receiving the forces from the lifting cylinder of the lifting platform and is at the same time a "lost formwork".

Weight of the installation cassette:
 without pistons: ca. 2.50 kN
 with pistons: ca. 5.00 kN

a) Size of the foundation bottom with solid binding soil

Length and width: cassette dimensions plus on the left and right side circulating at least 15 cm

Thickness: approx. 18-20 cm.

Quality of concrete: C 20/25 not fortified (look at sections A-Aand B-B)

b) Size of the excavation with solid binding soil

At the bottom: analogous foundation bottom

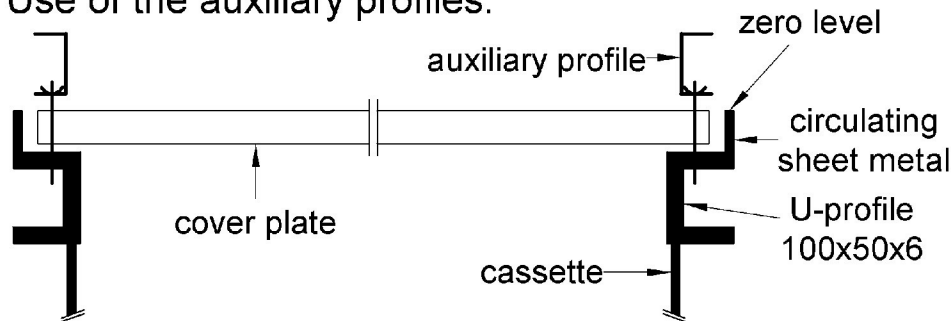
At the top: Length and width of the cassette plus on the left and right side circulating at least 30 cm at the level of the composite layer (look at sections A-Aand B-B).

ATTENTION: Please ask an expert for construction if the soil is not solid binding or if ground water appears.

c) Works have to be done during the construction

Connect a flexible idle-pipe DN 32 mm clean and seal at the prepared exit at the installation cassette and lay it up to the control desk. The pipe should jut out approx. 15 cm of the top edge of the carcase ground (up to the control desk if underplaster installation is planned).

Use of the auxiliary profiles:



III. Inserting, adjusting and encasing in concrete of the installation cassette

a) Inserting: The installation cassette is to be inserted exactly to the axles of the plan view.

b) Adjusting: The circulating vertical sheet metal (h=25 mm) at the circulating U-shaped iron profile (100 x 50 x 6 mm) is the supporting surface for a long spirit level (see detail below):
 top edge of the vertical sheet metal = top edge of the finished ground = 0,00 mm
 The adjustment of the installation cassette takes place in the three directions length, width and depth and has to be carried out very carefully! The measure of the altitude (depth) is + 0 up to max. + 3 mm.

The reference level is the top edge of the finished ground. The later rectifying of an installation cassette which is not aligned in level causes enormous costs.

IMPORTANT: Use a long spirit level absolutely!

Auxiliary profiles: The auxiliary profiles for installation are two U-shaped iron profiles 100 x 50 x 6 mm with a length of approx. 2,00 m. They have to be screwed on at the right and left side of the installation cassette (see detail below). The supports for installation can be borrowed for a rental charge at the manufacturer.

c) Incasing in concrete:

1. Foundation bottom see point II b)

2. When the installation cassette is inserted perpendicular and aligned, fill in concrete C 20/25 in regular layers (fill in concrete up to the level of the reinforced concrete layer).

ATTENTION: The position of the installation cassette is to be checked continually during the incasing in concrete.

3. The reinforced concrete layer is to be filled at the end of the encasing with concrete C 30/37 reinforced. The U-shaped iron profiles 100 x 50 mm has to be encased in concrete at least on third of its height into the reinforced concrete layer.

4. Poor ground conditions (not binding soil), this means large excavation:

The incasing of concrete has to be done in three steps:

1st step: Fill in up to 20 cm / 8 inch

2nd step: Fill in up to the half of the cassettes high

3rd step: Fill in up to the level of the reinforced concrete layer

5. Ground water:

For the protection against buoyancy ask an expert for construction. At least strengthen and reinforce the floor. Reinforce the walls, concrete at least in quality C 30/37.

6. Working places in series:

Arrange the lifting platforms all in one axle.

IV. Technical instructions:

a) Electrical connections: Supply of the control panel: 5 x 2,5mm², 400 V, 50 Hz, lazy protected with 16 A. Feed it in directly into the control panel.

b) Earthing: According to the local regulations a sufficient precautionary measure for the installation cassette has to be planned. An earthing connection at the installation cassette is existing.

Attention / Important Tips:

- Please ask the manufacturer or the regional service partner if there are open questions.**
- Fixing the finished ground / tiled floor:** Water should not accumulate near the lifting platform/installation cassette and no "water pools" should emerge. Please lay the incline and the tolerance in altitude flowing the water always away from the lifting platform/installation cassette.
- What is to do after the carrying out of the installation of the lifting platform or the operational handing over:** The lifting platform, especially the exits of the pistons, the cover plate of the installation cassette and the installed support platforms have to be protected against dirtying. Especially quartz sand, mortar and cleaners for tiles are to be kept away.

Schwenkarm-Lift 2.30 PE
 Schwenkarm-Lift 2.35
 Schwenkarm-Lift 2.50
 Body-Lift 2.35

	Zeichnungsnummer	FP2285
	Stand	01.01.2005

Foundation plan
 piston distance 2285