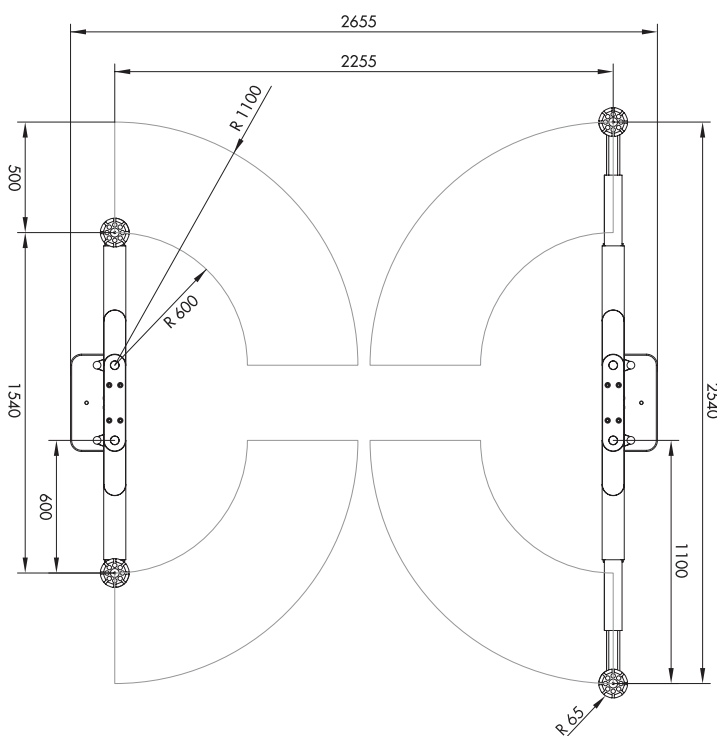
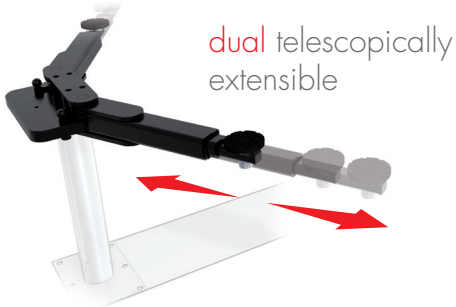
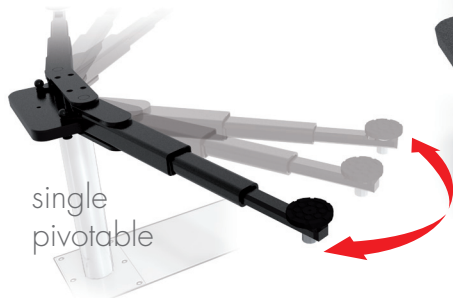


SCHWENKARM_{LIFT}

2.30 PE

swing arms,
powder- and
cathodic dip coated (cdc)



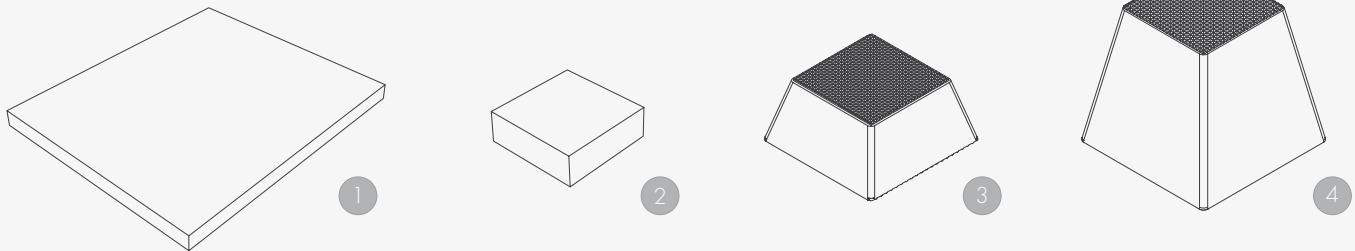
TECHNICAL DATA

load capacity	3000 kg
lifting height	1860 mm
effective raise height	1960 mm
move in height	74 mm
piston diameter	123 mm
piston distance	2285 mm
installation depth	2338 mm
motor output	3,0 kW
power connector	400 V/16 A
cable length to control	8 m
lifting time	40 sec.
lowering time	40 sec.

pre-assembled with cassette
cassette
without cassette (delivery in wooden case)
basic unit (incl. cassette without support)
support

TOP10019
TOP11001
TOP10119
TOP20127
TOP20889

ACCESSORIES

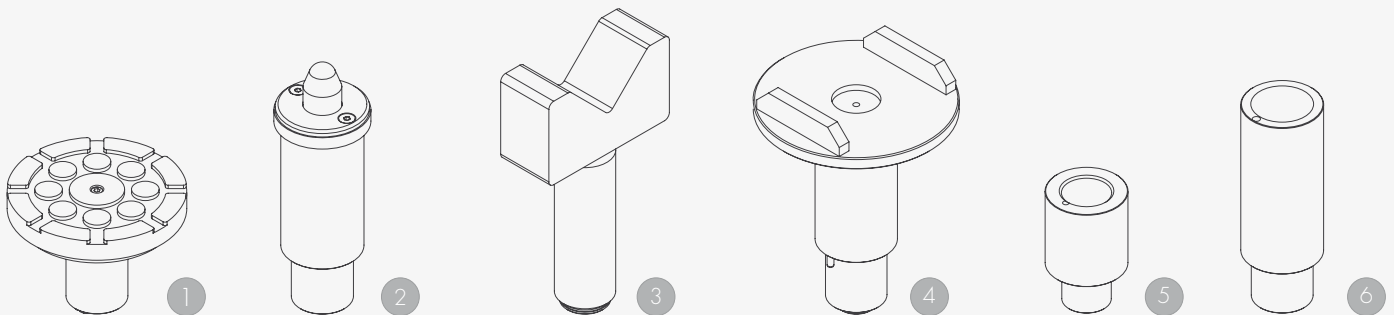


1 | rubber pad
290 x 335 x 20 mm
TOP11007 (1set / 4 pcs.)

2 | rubber pad
120 x 120 x 40 mm
TOP11006 (1set / 4 pcs.)

3 | rubber pad pyramid
70 mm
TOP11005 (1set / 4 pcs.)

4 | rubber pad pyramid
140 mm
TOP11035 (1set / 4 pcs.)



1 | stacking adapter
d130 x d 45 / 25-55 mm
TOP11021 (1set / 4 pcs.)

2 | stacking adapter NCV3
d 45 x d 70 / 125-250 mm
TOP11031 (1set / 2 pcs.)

3 | stacking adapter prism
d 45 / 182-312 mm
TOP11026 (1set / 2 pcs.)

4 | stacking adapter U-form
d 130 x d 45 / 193-295 mm
TOP11025 (1set / 4 pcs.)

5 | stacking adapter extension
80 mm
TOP11020 (1set / 4 pcs.)

6 | stacking adapter extension
130 mm
TOP11023 (1set / 4 pcs.)

Herrmann AG

Bahnhofstrasse 32
D-93483 Pöding

Sales

Phone: +49 (0)9461/91388 50
Fax: +49 (0)9461/91388 55
E-Mail: sales@herrmann.de

Service

Phone: +49 (0)9461/91388 30
Fax: +49 (0)9461/91388 33
E-Mail: service@herrmann.de

www.herrmann.de