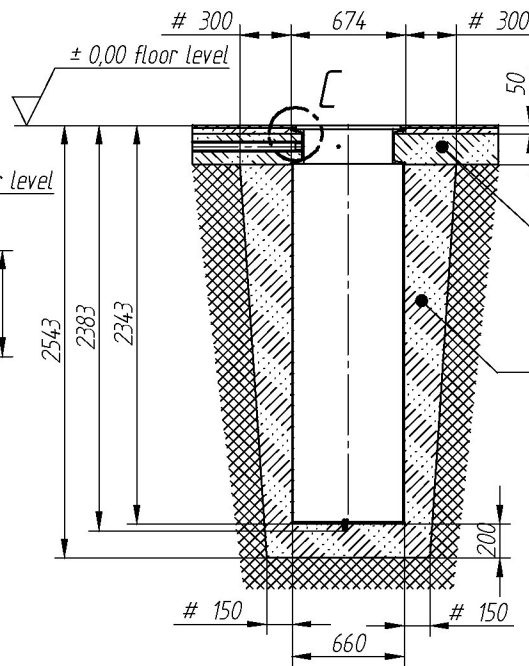
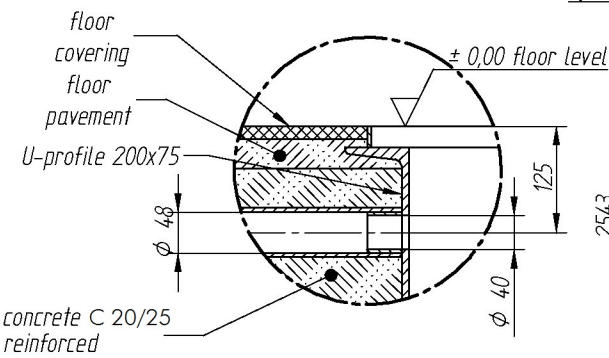


cut A-A



cut B-B



detail C

= minimum; otherwise according
to foundation requirements

all dimensions are minimum in mm!

Classic-Lift 135 x
Classic-Lift 135 H plus

	Zeichnungsnummer	FP20504
	Stand	01.06.2006

Foundation plan single piston

Tips and comments for the foundation plan or rather installation of hydraulic flash-mounted single piston lifts

I. General instructions for the installation:

The right placement for the single piston lift depends according to the use for

- car service and repair
- body repair and laque
- car wash

on the instructions of the car manufacturers and of the client for whom it is built. Please note the requirements of the building.

Location of the control desk at the wall:

The best position is in driving direction in front left. Lay the idle pipe DN 48 mm from the Installation cassette with a round exit to the control desk.

Important: Carry out no small radius when installing the idle pipe but stretched curves.

II. Laying the foundations:

The installation cassette for the lifting platform is quite an element resistant to deflection for receiving the forces from the lifting cylinder of the lifting platform and it is at the same time a "lost formwork".

Weights: Installation cassette without piston: about 150 kg
Installation cassette with piston: about 350 kg

a) Size of the foundation bottom with solid and binding soil

Length and width: cassette dimensions plus at least 150 mm circulating
Thickness: approx. 180-200 mm
Quality of concrete: C 12/15 non-reinforced (look at section A-A and B-B)

b) Size of the excavation with solid and binding soil

At the bottom: Below: analogous foundation bottom
At the top: Length and width of the installation cassette plus and additional at least 300 mm on the left and right side circulating (look at section A-A and B-B).

ATTENTION: Please ask an expert for construction if the soil is not solid binding or if ground water appears.

c) Works have to be done during the construction

Connect a flexible idle-pipe DN 48 mm cleaned and sealed at the prepared exit at the installation cassette and lay it up to the control desk.

The measure of the altitude (depth) is + 0 up to max. + 3 mm. The reference measure point is the top edge of the finished ground. The later rectifying of an installation cassette witch is not aligned causes enormous costs.

IMPORTANT: Use a long spirit level absolutely!

Auxiliary profiles for installation: The auxiliary profiles for installation are two U-shaped profiles with a length of 2,00m. They have to be screwed on at the right and left side of the installation cassette (see plan, detail C and schematic drawing "Use of auxiliary profiles"). The auxiliary profiles for installation can be borrowed for a rental charge at the manufacturer.

c) Incasing in concrete:

1. Foundation bottom (see also point II b)

When the installation cassette is inserted perpendicular and aligned, fill in stamped concrete C 12/15 in regular layers and compress it (stamped concrete up to under the edge of the reinforced concrete slab.

ATTENTION: The position of the installation cassette is to be checked continually during the incasing in concrete.

3. The reinforced concrete bottom is to be carried out at the end of the encasing in concrete in C 20/25.

The U-shaped profile 200 x 75mm of the cassette has to be encased in concrete at least two third of its height into the reinforced concrete slab.

4. Poor ground conditions (not binding soil), this means large excavation:

The incasing of concrete has to be done in three steps:

- 1st step: Fill in up to 20 cm / 8 inch
- 2nd step: Fill in up to the half of the cassettes high
- 3rd step: Fill in up to the level of the reinforced concrete layer

5. Ground water:

For the protection against buoyancy ask an expert for construction. At least strenghten and reinforce the floor. Reinforce the walls, concrete at least in C 20/25.

6. Working places in series

Arrange the lifting platforms all in one axle.

IV. Technical instructions:

a) Electrical connections

Supply of the control desk: 5 x 2,5mm², 400 V, 50 Hz, 16 A inert.

b) Earthing:

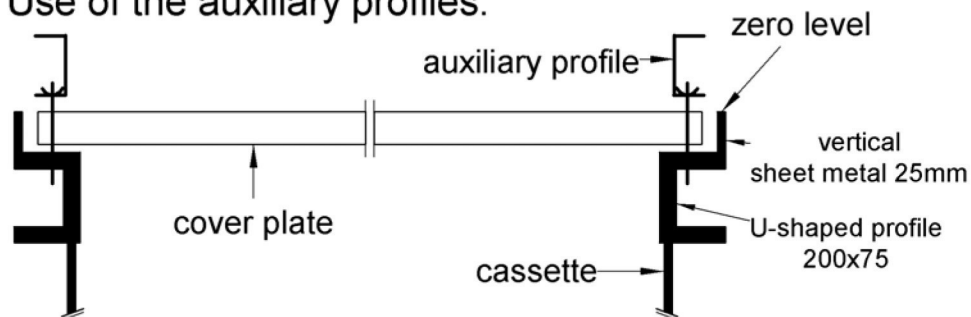
According to the local regulations an sufficient precautionary measure for the installation cassette is to plan.

Attention / Important tips:

1. Please ask the manufacturer or the regional service partner for other detailed questions.
2. Fixing the finished ground / tiled floor:
Water should not accumulate near the lifting platform/installation cassette and no "water pools" should emerge. Please lay the incline and the tolerance in altitude flowing the water always away from the lifting platform/installation cassette.
3. What is to do after the carrying out of the installation of the lifting platform or the operational handing over:

The lifting platform, especially the exits of the pistons, the cover plate of the installation cassette and the installed load receivers have to be protected against dirtying. Especially quartz sand, mortar and cleaners for tiles are to keep away.

Use of the auxiliary profiles:



III. Inserting, adjusting and encasing in concrete of the installation cassette

a) Inserting:

The installation cassette is to be inserted exactly to the axles of the plan view.

b) Adjusting:

The vertical sheet metal (h=25 mm) welded at the U-shaped profile (200 x 75 mm) of the cassette is the supporting surface for a long spirit level (see detail C); top edge of the vertical sheet metal = top edge of the finished floor level = ± 0,00.

The adjusting of the installation cassette takes place in the three directions length, width and depth and has to be carried out very carefully!

Classic-Lift 1.35 x
Classic-Lift 1.35 H plus

HERRMANN

Zeichnungsnummer

FP20504

Foundation plan single piston

Stand

01.06.2006